

# Twenty-two Sevenths rev1.3 by runoffgroove.com

gaussmarkov

January 30, 2007

<http://gaussmarkov.net/index.php?page=layouts#22-7ths>

The following conditions apply to this project from runoffgroove.com. runoffgroove.com projects are provided free-of-charge to builders for their personal use. They offer licensing for commercial builders who wish to sell pedals based on, in whole or in part, our projects. As part of the licensing agreement, the builder must clearly state that the circuit was developed by runoffgroove.com, both in promotional literature and on the circuit board. If you see a pedal for sale that seems to be based on a runoffgroove.com project and does not credit runoffgroove.com, the builder may not be officially licensed and therefore, not compensating us as the developer. Please contact runoffgroove.com with the information.

## Notes

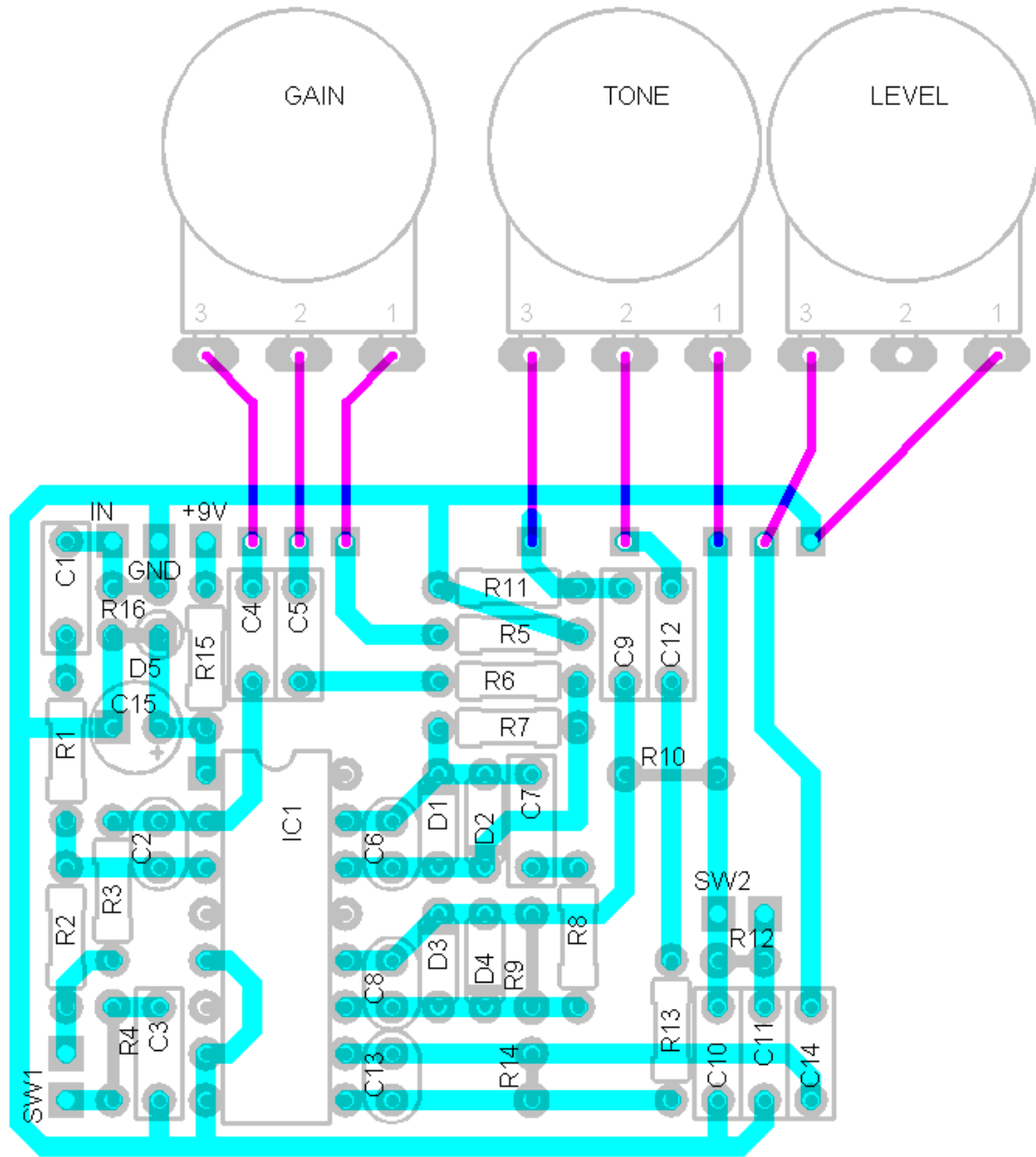
SOURCE:

<http://www.diy-stompboxes.com/smforum/index.php?topic=48815.msg363590#msg363590>.

Here are some changes to [the original schematic](#). IMHO, none will make a difference to the performance of the circuit.

1. I connected the unused inputs to the ground rail rather than the power rail.
2. I added switch for level of drive. This could be a jumper or inline sockets for a removable jumper.
3. I changed the inverters used on the IC to make the layout simpler.
4. I added a 1M pull-down resistor to the input.

# Layout



ROG twenty-two sevenths rev. 1.3

perf02.brd

21.01.2007 gaussmarkov



# Parts

Part	Value	Library	Part	Value	Library
C1	33n	gm-caps-film-box	R1	100K	gm-resistors
C2	33p	gm-caps-ceramic	R2	470K	gm-resistors
C3	100n	gm-caps-film-box	R3	470K	gm-resistors
C4	100n	gm-caps-film-box	R4	33K	gm-resistors
C5	100n	gm-caps-film-box	R5	1K	gm-resistors
C6	150p	gm-caps-ceramic	R6	33K	gm-resistors
C7	100n	gm-caps-film-box	R7	1M	gm-resistors
C8	150p	gm-caps-ceramic	R8	33K	gm-resistors
C9	3.3n	gm-caps-film-box	R9	1M	gm-resistors
C10	10n	gm-caps-film-box	R10	39K	gm-resistors
C11	33n	gm-caps-film-box	R11	27K	gm-resistors
C12	100n	gm-caps-film-box	R12	1M	gm-resistors
C13	33p	gm-caps-ceramic	R13	100K	gm-resistors
C14	100n	gm-caps-film-box	R14	470K	gm-resistors
C15	100u	gm-caps-electro-pol	R15	470	gm-resistors
D1	1N4148	gm-diodes	R16	1M	gm-resistors
D2	1N4148	gm-diodes	SW1	SPST	gm-switches
D3	1N4148	gm-diodes	SW2	SPST	gm-switches
D4	1N4148	gm-diodes	GAIN	100KA	gm-pots
D5	1N4007	gm-diodes	LEVEL	100KA	gm-pots
IC1	CD4049UBE	gm-ics	TONE	100KB	gm-pots

# PCB Image

When printing this image, use “Page Scaling: None” in the Adobe Reader print dialog.

