

# Forty-Niner by Mark Hammer

gaussmarkov

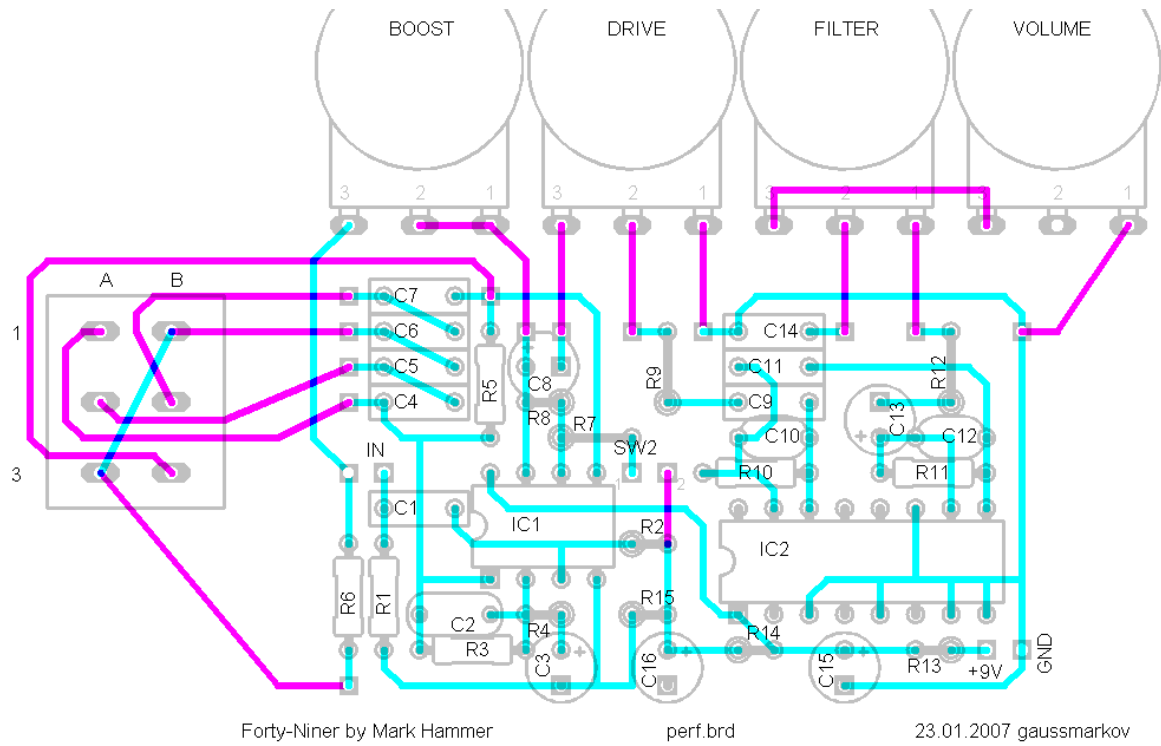
September 12, 2007

<http://gaussmarkov.net/wordpress/circuits/forty-niner/>

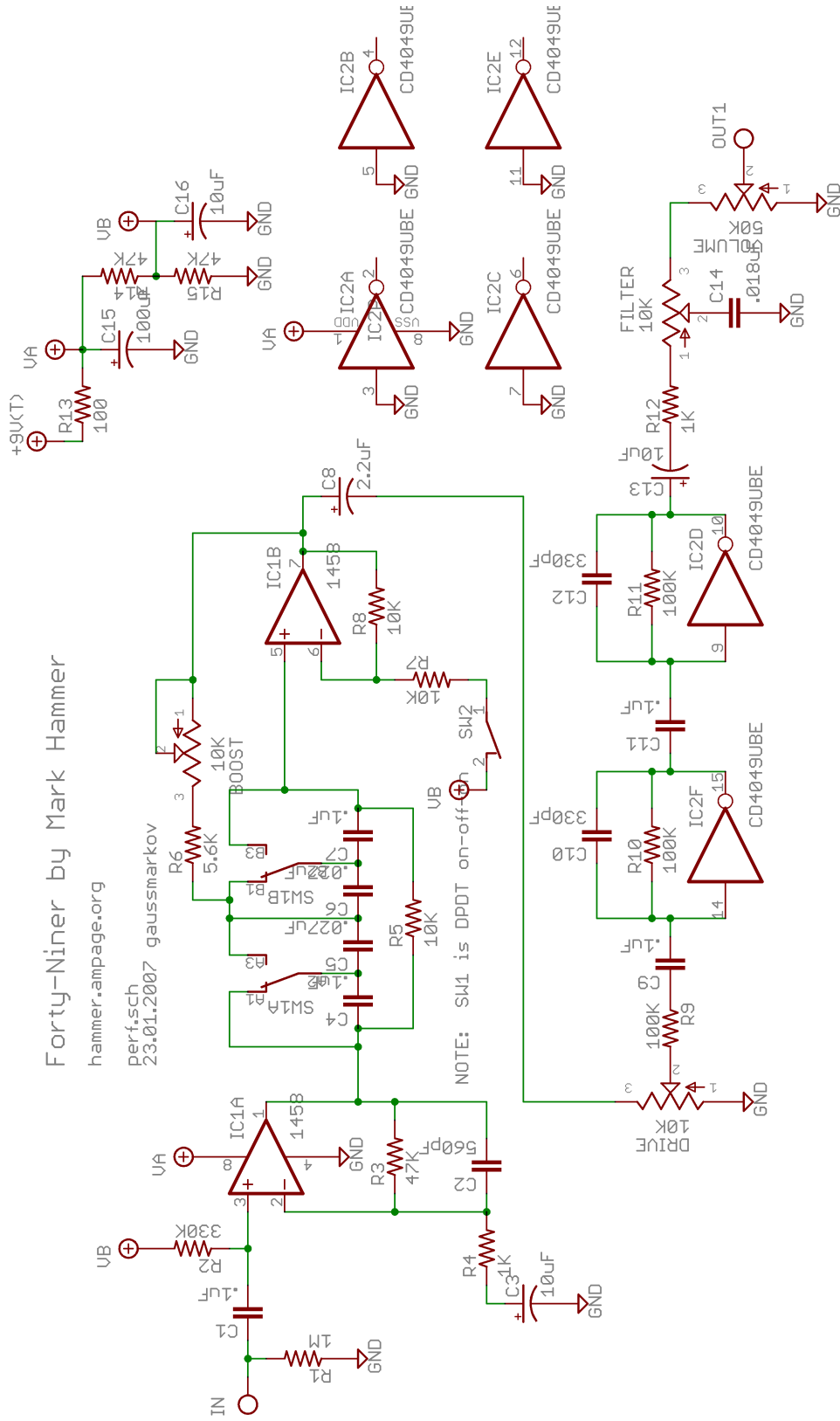
## Notes

The online source is <http://hammer.ampage.org>.

## Layout



# Schematic



# Parts List

Partlist for Forty-Niner by Mark Hammer on gaussmarkov.net

Part	Value	Library			
C1	.1uF	gm-caps-film-box	R1	1M	gm-resistors
C2	560pF	gm-caps-film-chicklet	R2	330K	gm-resistors
C3	10uF	gm-caps-electro-pol	R3	47K	gm-resistors
C4	.1uF	gm-caps-film-box	R4	1K	gm-resistors
C5	.027uF	gm-caps-film-box	R5	10K	gm-resistors
C6	.027uF	gm-caps-film-box	R6	5.6K	gm-resistors
C7	.1uF	gm-caps-film-box	R7	10K	gm-resistors
C8	2.2uF	gm-caps-electro-pol	R8	10K	gm-resistors
C9	.1uF	gm-caps-film-box	R9	100K	gm-resistors
C10	330pF	gm-caps-ceramic	R10	100K	gm-resistors
C11	.1uF	gm-caps-film-box	R11	100K	gm-resistors
C12	330pF	gm-caps-ceramic	R12	1K	gm-resistors
C13	10uF	gm-caps-electro-pol	R13	100	gm-resistors
C14	.018uF	gm-caps-film-box	R14	47K	gm-resistors
C15	100uF	gm-caps-electro-pol	R15	47K	gm-resistors
C16	10uF	gm-caps-electro-pol	SW1	DPDT(on/off/on)	gm-switches
IC1	1458	gm-ics	SW2	SPST	gm-switches
IC2	CD4049UBE	gm-ics	DRIVE	10K	gm-pots
			FILTER	10K	gm-pots
			BOOST	10K	gm-pots
			VOLUME	50K	gm-pots

# PCB Image

When printing this image, use "Page Scaling: None" in the Adobe Reader print dialog.

