

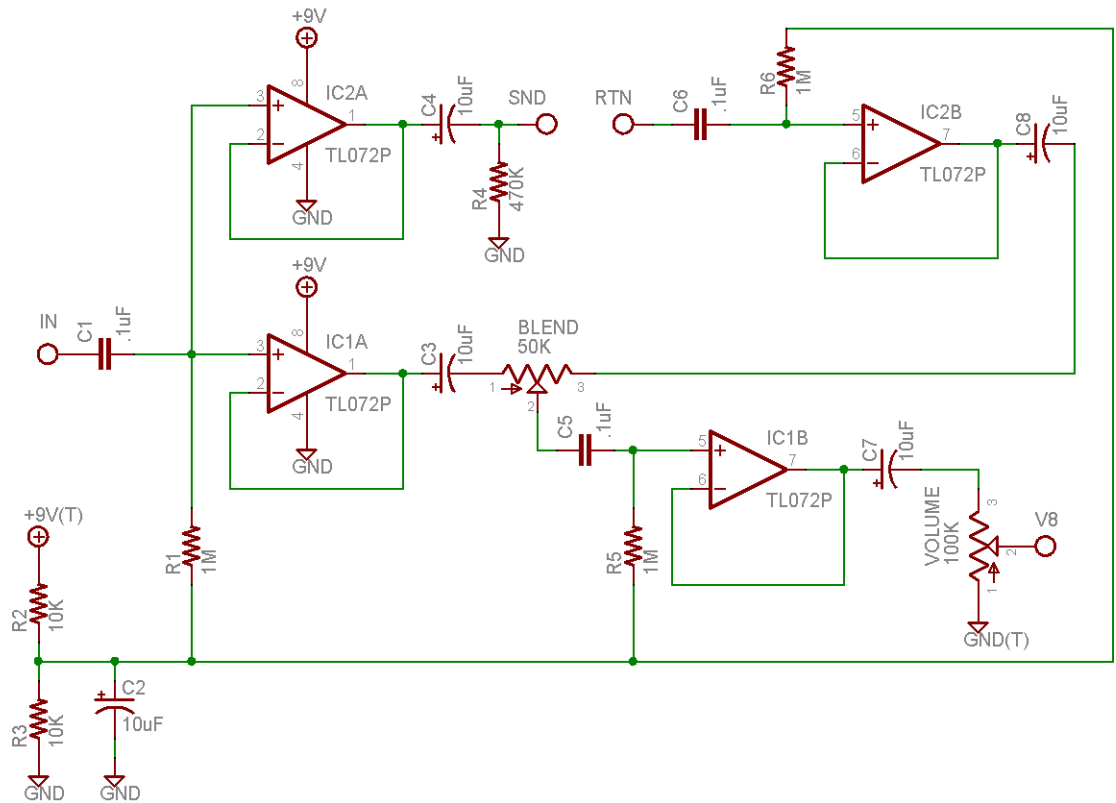
# SeanM's B. Blender

gaussmarkov

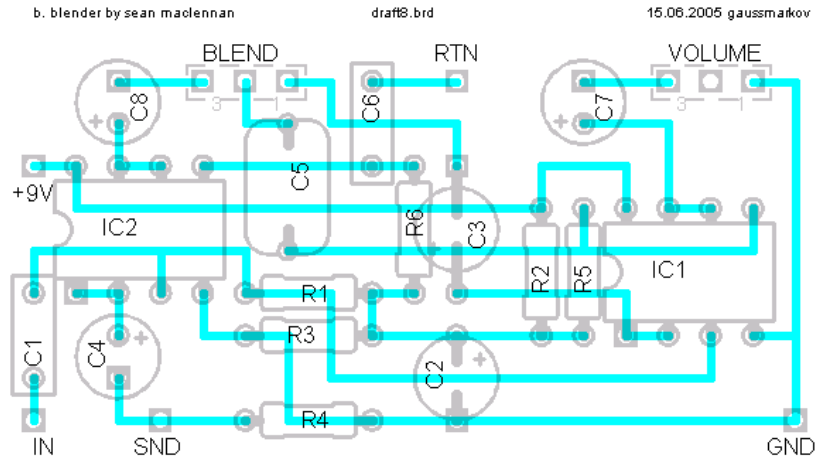
July 5, 2006

<http://gaussmarkov.net/layouts/layouts.html#bblender>

## Schematic



## PCB Layout



## Parts List

Part	Value	Library
C1	.1uF	gm-caps-film-box
C2	10uF	gm-caps-electro-pol
C3	10uF	gm-caps-electro-pol
C4	10uF	gm-caps-electro-pol
C5	.1uF	gm-caps-film-chicklet
C6	.1uF	gm-caps-film-box
C7	10uF	gm-caps-electro-pol
C8	10uF	gm-caps-electro-pol
IC1	TL072P	gm-ics
IC2	TL072P	gm-ics
R1	1M	gm-resistors
R2	10K	gm-resistors
R3	10K	gm-resistors
R4	470K	gm-resistors
R5	1M	gm-resistors
R6	1M	gm-resistors
BLEND	50K	gm-pots
VOLUME	100K	gm-pots

## PCB Image

When printing this image, use “Page Scaling: None” in the Adobe Reader print dialog.

