

# Bipolar 9V Power Supply

by R. G. Keen

gaussmarkov and stobiepole

August 11, 2007

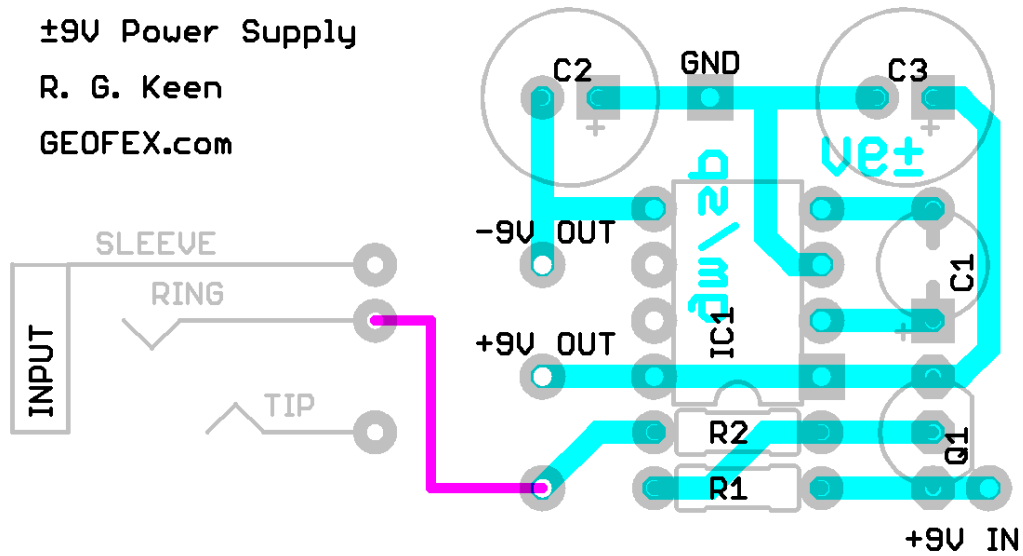
<http://gaussmarkov.net/wordpress/circuits/bipolar-9v-power-supply>

## Notes

SOURCE: [http://www.geofex.com/circuits/+9\\_to\\_-9.htm](http://www.geofex.com/circuits/+9_to_-9.htm)

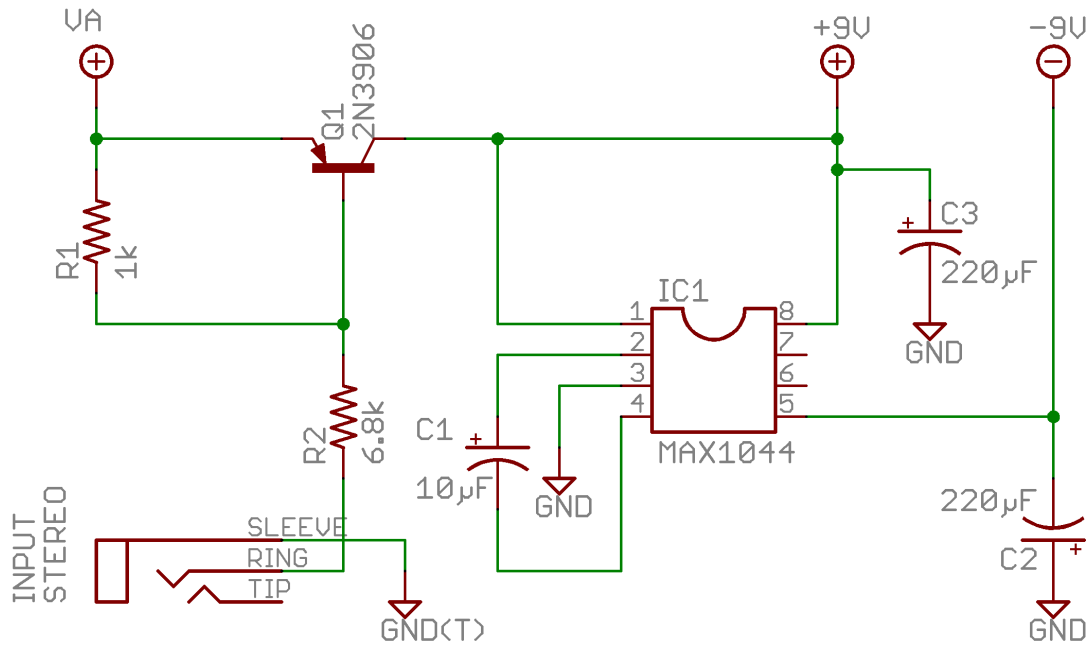
This was Chris's idea: a daughter board to supply  $\pm 9V$ . He was inspired by our Gristleizer project, which needed such a thing. R. G. Keen has had the application of the MAX1044 chip to this need on his site for years so it seemed like the obvious solution. And it works nicely for us. None of the possible whine that such supplies can cause.

## Layout



11.08.2007 gaussmarkov/stobiepole

## Schematic



±9V Power Supply by R. G. Keen

[http://www.geofex.com/circuits/+9\\_to\\_-9.htm](http://www.geofex.com/circuits/+9_to_-9.htm)

this version 11.08.2007 gaussmarkov/stobiepole

## Parts List

Partlist for GEOFEX 9V Power Supply on gaussmarkov.net

Part	Value	Library
C1	10F	gm-caps-electro-pol
C2	220F	gm-caps-electro-pol
C3	220F	gm-caps-electro-pol
GND	GND(T)	gm-supply
IC1	MAX1044	gm-ics
INPUT	STEREO	gm-jacks
Q1	2N3906	gm-trans
R1	1k	gm-resistors
R2	6.8k	gm-resistors

# PCB Image

When printing this image, use "Page Scaling: None" in the Adobe Reader print dialog.

