

DOD Overdrive 250 Clone

gaussmarkov

October 3, 2007

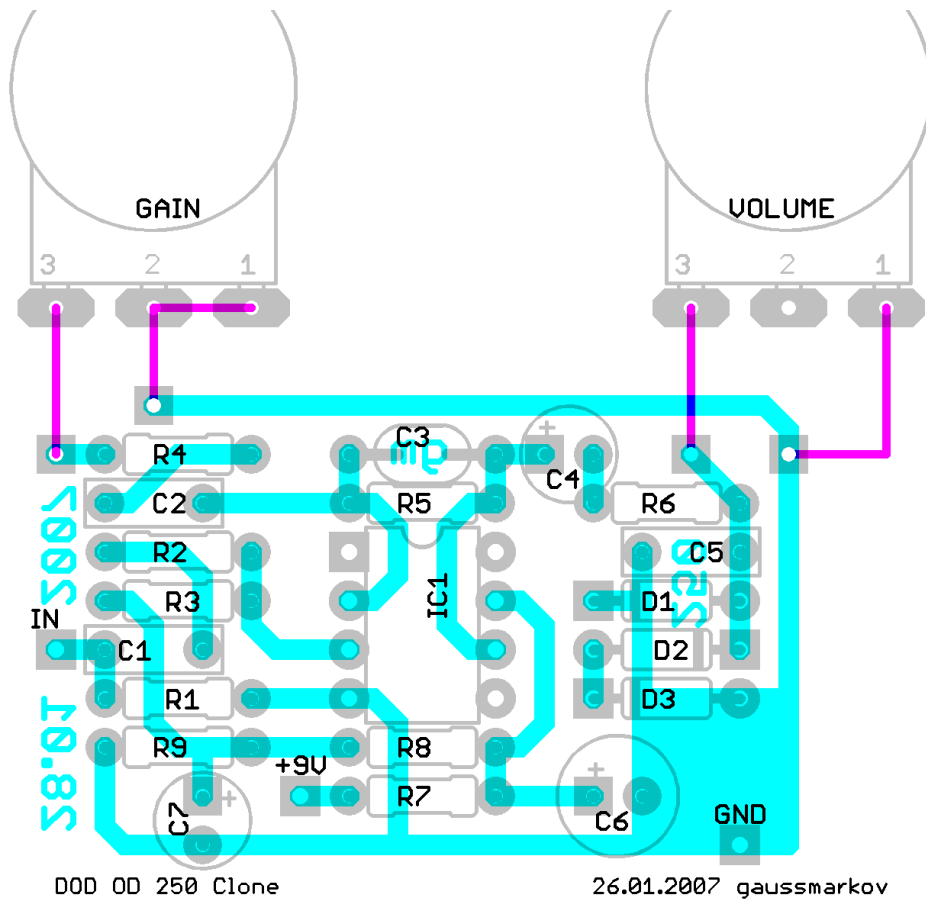
<http://gaussmarkov.net/wordpress/circuits/overdrive-250/>

Notes

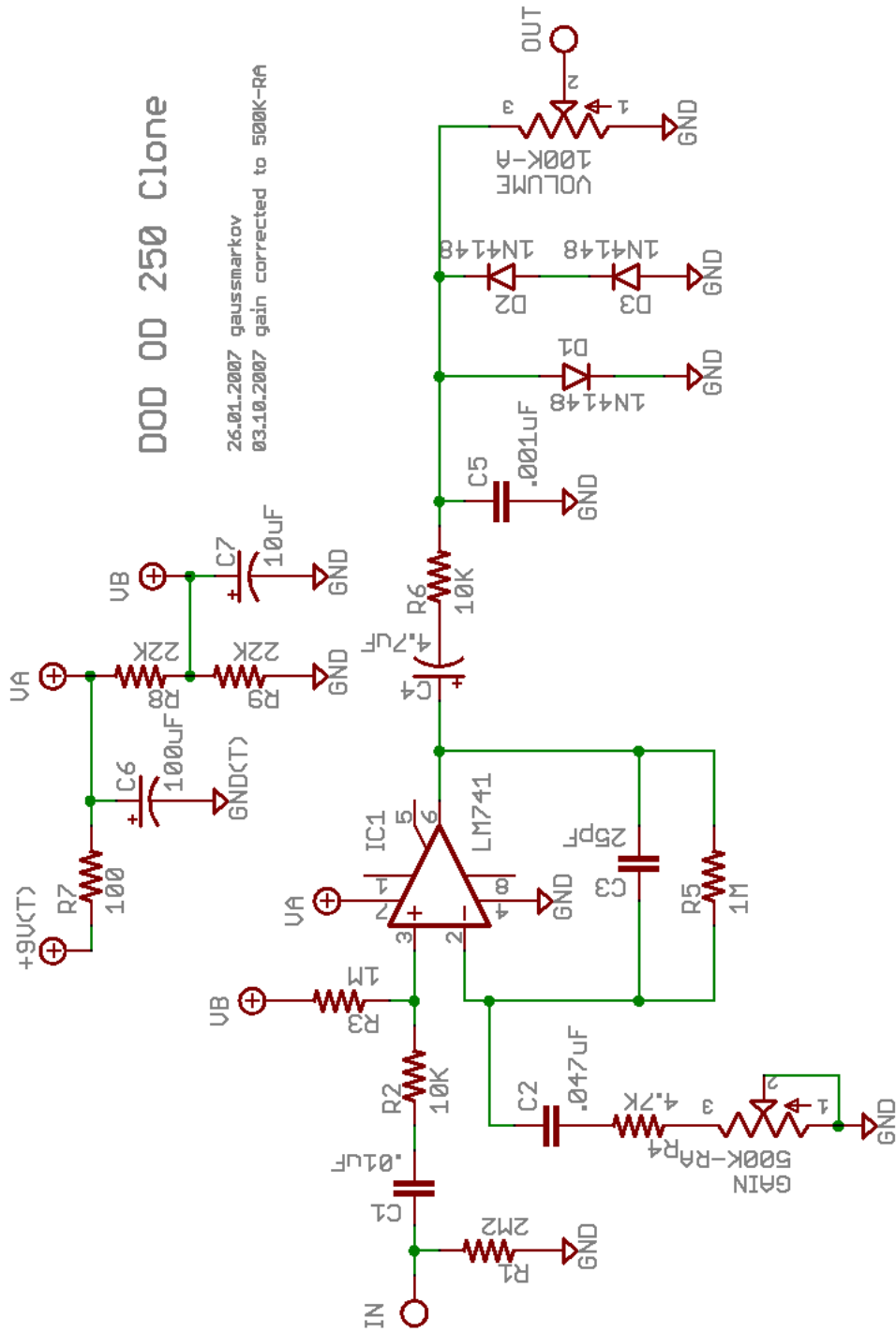
SOURCE: <http://tonepad.com>

Special thanks to Will Cote for pointing out that the GAIN pot should be 500K-RA, not 50K-RA.

Layout



Schematic



Parts List

Part	Value	Library	Part	Value	Library
C1	.01uF	gm-caps-film-box	IC1	LM741	gm-ics
C2	.047uF	gm-caps-film-box	R1	2M2	gm-resistors
C3	25pF	gm-caps-ceramic	R2	10K	gm-resistors
C4	4.7uF	gm-caps-electro-pol	R3	1M	gm-resistors
C5	.001uF	gm-caps-film-box	R4	4.7K	gm-resistors
C6	100uF	gm-caps-electro-pol	R5	1M	gm-resistors
C7	10uF	gm-caps-electro-pol	R6	10K	gm-resistors
D1	1N4148	gm-diodes	R7	100	gm-resistors
D2	1N4148	gm-diodes	R8	22K	gm-resistors
D3	1N4148	gm-diodes	R9	22K	gm-resistors
			GAIN	500K-RA	gm-pots
			VOLUME	100K-A	gm-pots

PCB Image

When printing this image, use “Page Scaling: None” in the Adobe Reader print dialog.

