

Gristleizer

gaussmarkov and stobiepole

August 10, 2007

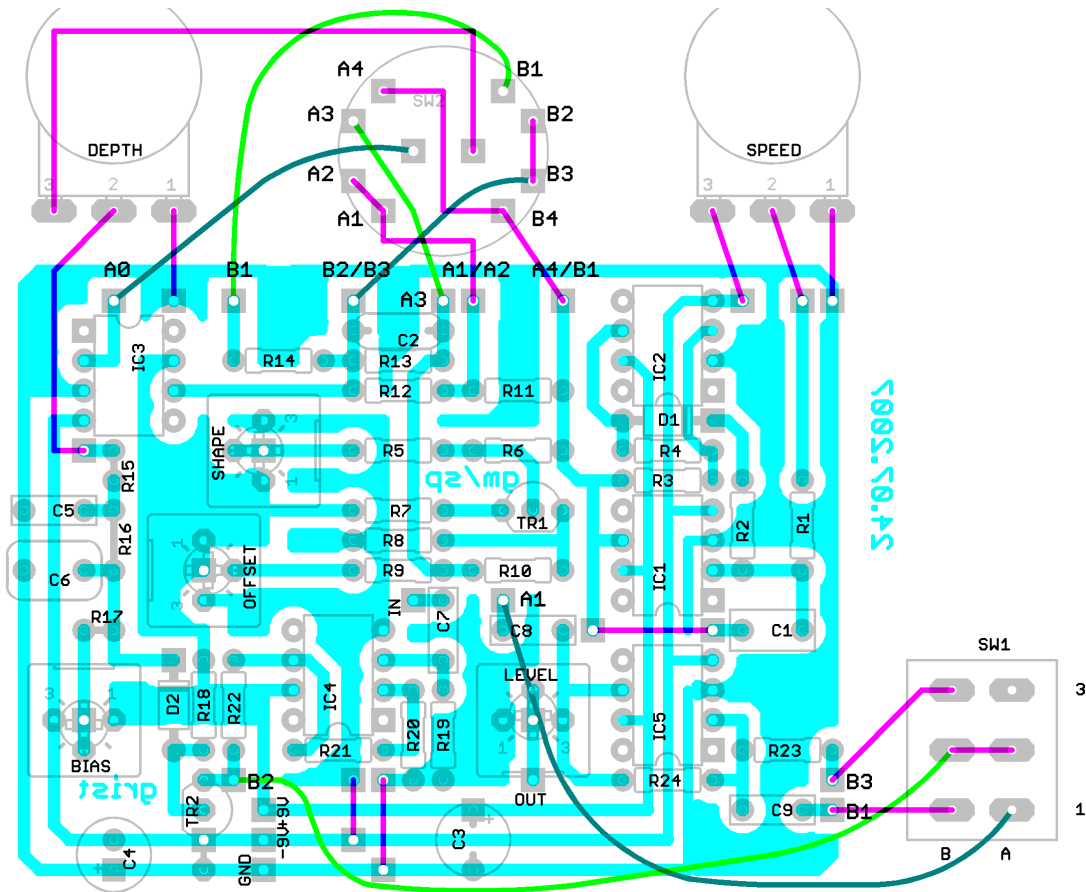
<http://gaussmarkov.net/index.php?page=layouts#grist>

Notes

The online source is <http://rubidium.dyndns.org/cag/pdf/gep.pdf>.

There is also a vero layout at the end of this document. The original was issued on vero and the version given here is a revision of that one designed to use less space. Both layouts are verified.

Layout



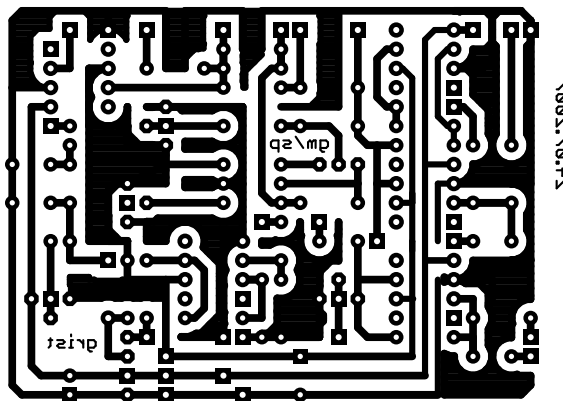
Parts List

Partlist for the Gristleizer on gaussmarkov.net

Part	Value	Library	Part	Value	Library
C1	0.47uF	gm-caps-film-box	TR1	2N3906	gm-trans
C2	2.2nF	gm-caps-film-chicklet	TR2	2N3819	gm-trans
C3	100uF	gm-caps-electro-pol			
C4	100uF	gm-caps-electro-pol	R1	56K	gm-resistors
C5	0.01uF	gm-caps-film-box	R2	470	gm-resistors
C6	0.1uF	gm-caps-film-box	R3	10K	gm-resistors
C7	0.1uF	gm-caps-film-box	R4	47K	gm-resistors
C8	6.8nF	gm-caps-film-box	R5	47K	gm-resistors
C9	6.8nF	gm-caps-film-box	R6	10K	gm-resistors
			R7	18K	gm-resistors
D1	1N34A	gm-diodes	R8	27K	gm-resistors
D2	1N34A	gm-diodes	R9	180K	gm-resistors
			R10	47K	gm-resistors
IC1	LM741	gm-ics	R11	47K	gm-resistors
IC2	LM741	gm-ics	R12	47K	gm-resistors
IC3	LM741	gm-ics	R13	180K	gm-resistors
IC4	LM741	gm-ics	R14	47K	gm-resistors
IC5	LM741	gm-ics	R15	47K	gm-resistors
			R16	47K	gm-resistors
BIAS	100K-B	gm-pots	R17	100K	gm-resistors
DEPTH	10K-B	gm-pots	R18	1M	gm-resistors
LEVEL	100K-B	gm-pots	R19	47K	gm-resistors
OFFSET	100K-B	gm-pots	R20	10K	gm-resistors
SHAPE	100K-B	gm-pots	R21	100K	gm-resistors
SPEED	10K-A	gm-pots	R22	10K	gm-resistors
			R23	47K	gm-resistors
SW1	DPDT	gm-switches	R24	470K	gm-resistors
SW2	DP4W	gm-switches			

PCB Image

When printing this image, use "Page Scaling: None" in the Adobe Reader print dialog.



Veroboard Layout

