

# Hot Harmonics Clone

gaussmarkov

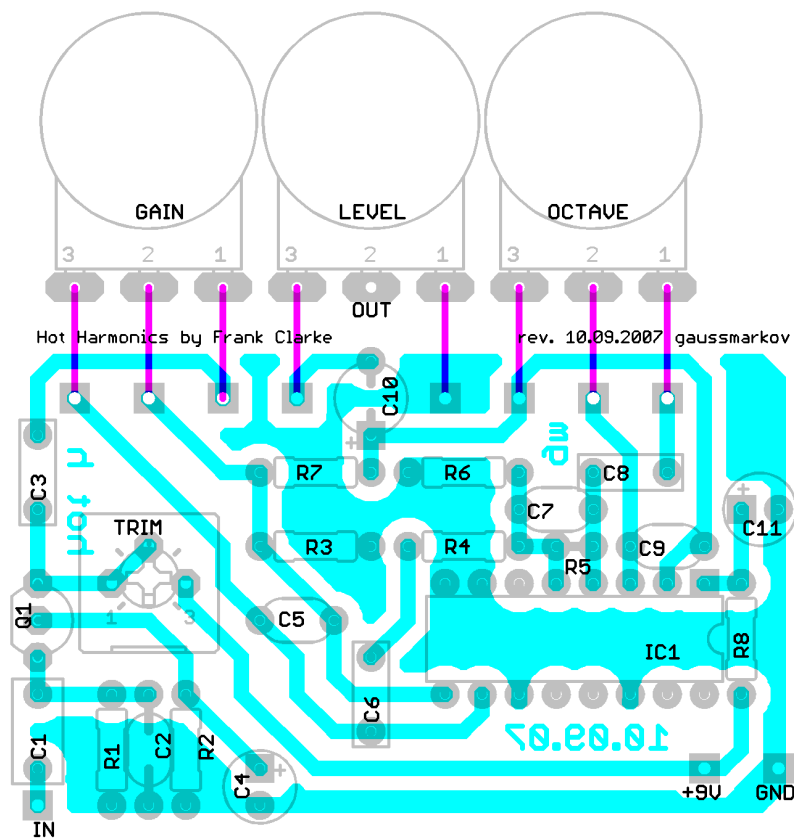
September 11, 2007

<http://gaussmarkov.net/wordpress/circuits/hot-harmonics/>

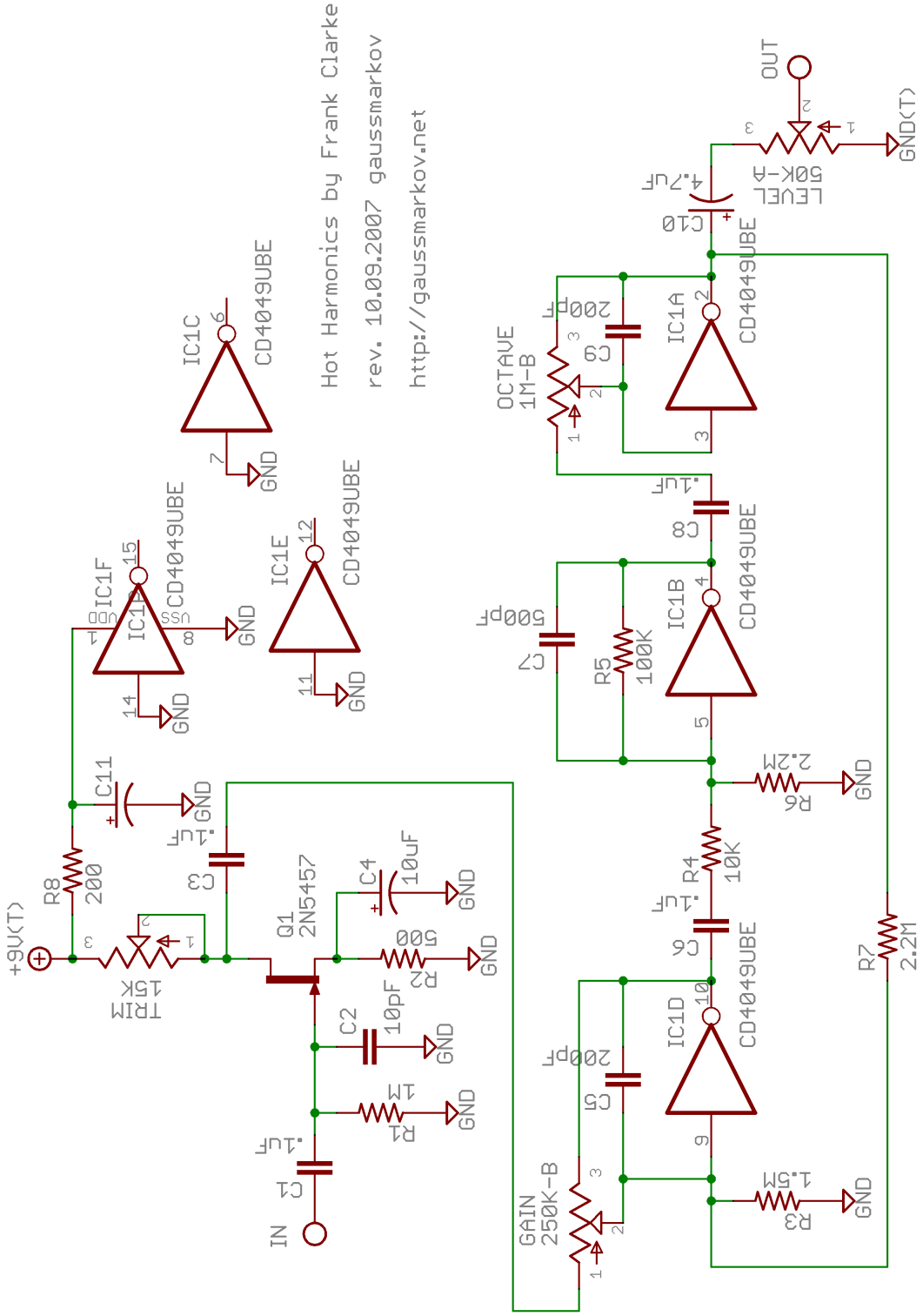
## Notes

SOURCE: <http://web.archive.org/web/20020206124650/http://members.home.net/fclarke/fx/>.

## Layout



# Schematic



Hot Harmonics by Frank Clarke  
 rev. 10.09.2007 gaussmarkov  
<http://gaussmarkov.net>

## Parts

Part	Value	Library
C1	.1uF	gm-caps-film-box
C2	10pF	gm-caps-ceramic
C3	.1uF	gm-caps-film-box
C4	10uF	gm-caps-electro-pol
C5	200pF	gm-caps-ceramic
C6	.1uF	gm-caps-film-box
C7	500pF	gm-caps-ceramic
C8	.1uF	gm-caps-film-box
C9	200pF	gm-caps-ceramic
C10	4.7uF	gm-caps-electro-pol
C11	22uF	gm-caps-electro-pol
IC1	CD4049UBE	gm-ics
Q1	2N5457	gm-trans
R1	1M	gm-resistors
R2	500	gm-resistors
R3	1.5M	gm-resistors
R4	10K	gm-resistors
R5	100K	gm-resistors
R6	2.2M	gm-resistors
R7	2.2M	gm-resistors
R8	200	gm-resistors
GAIN	250K-B	gm-pots
LEVEL	50K-A	gm-pots
OCTAVE	1M-B	gm-pots
TRIM	15K	gm-pots

## PCB Image

When printing this image, use “Page Scaling: None” in the Adobe Reader print dialog.

