

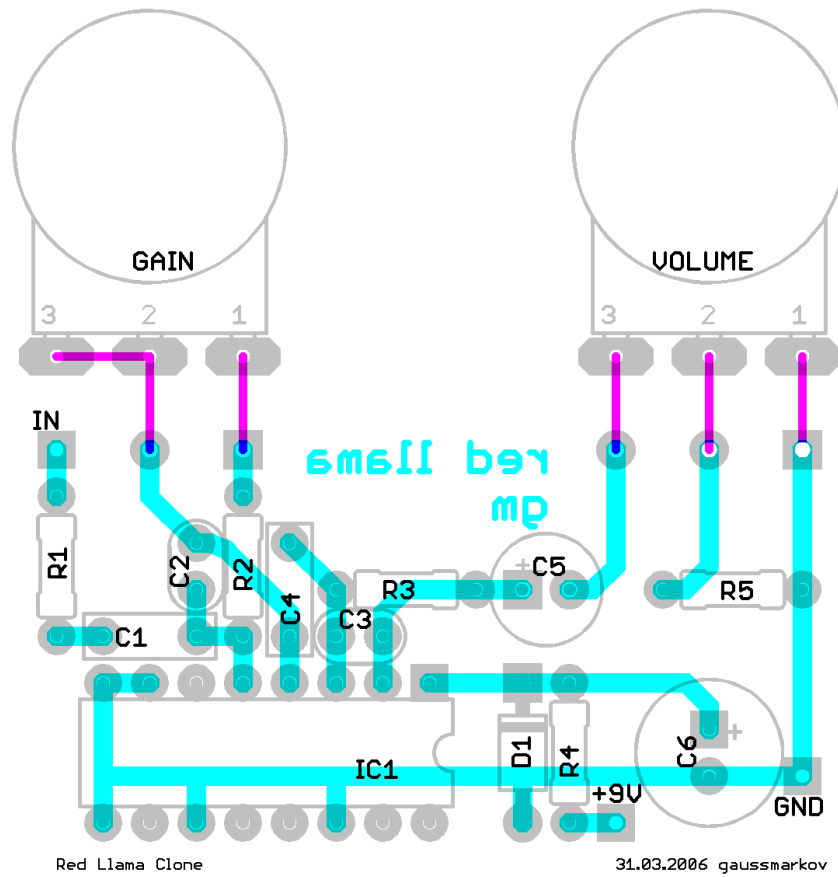
Red Llama Clone

gaussmarkov

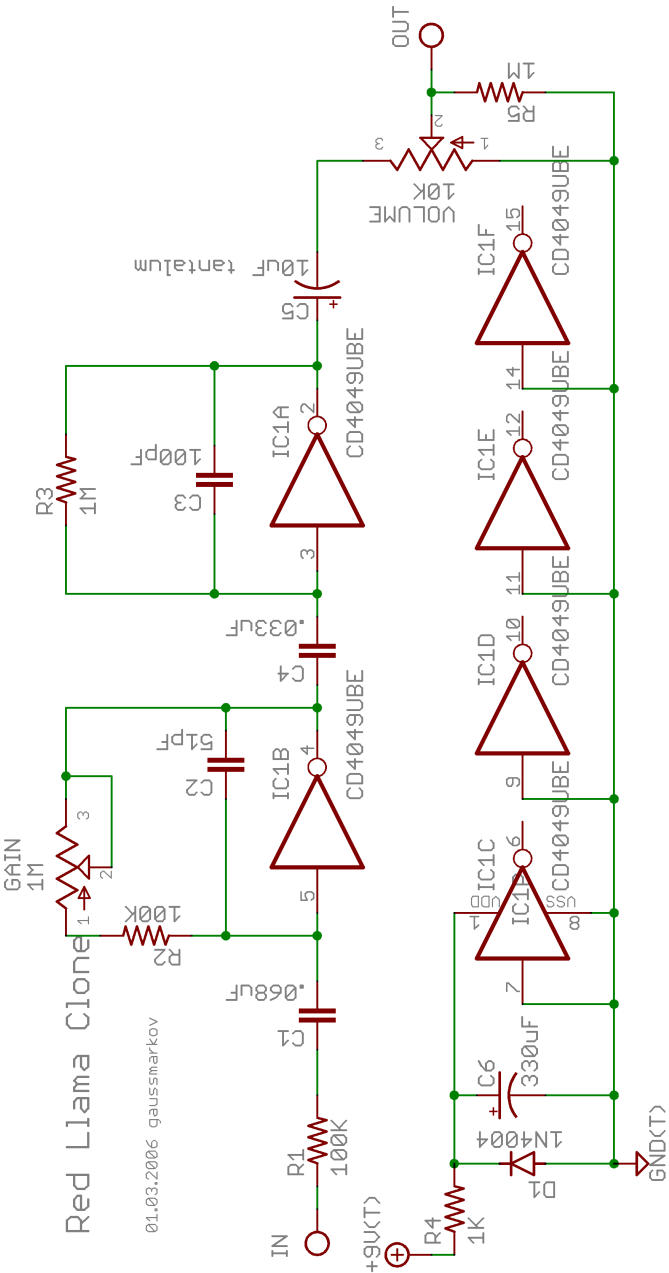
July 9, 2007

<http://gaussmarkov.net/index.php?page=layouts#redllama>

Layout



Schematic



Parts

Part	Value	Library
C1	.068uF	gm-caps-film-box
C2	51pF	gm-caps-ceramic
C3	100pF	gm-caps-ceramic
C4	.033uF	gm-caps-film-box
C5	10uF tantalum	gm-caps-tant
C6	330uF	gm-caps-electro-pol
D1	1N4004	gm-diodes
IC1	CD4049UBE	gm-ics
R1	100K	gm-resistors
R2	100K	gm-resistors
R3	1M	gm-resistors
R4	1K	gm-resistors
R5	1M	gm-resistors
GAIN	1M	gm-pots
VOLUME	10K	gm-pots

PCB Image

When printing this image, use “Page Scaling: None” in the Adobe Reader print dialog.

