

UBEscramer by runoffgroove.com

gaussmarkov

January 30, 2007

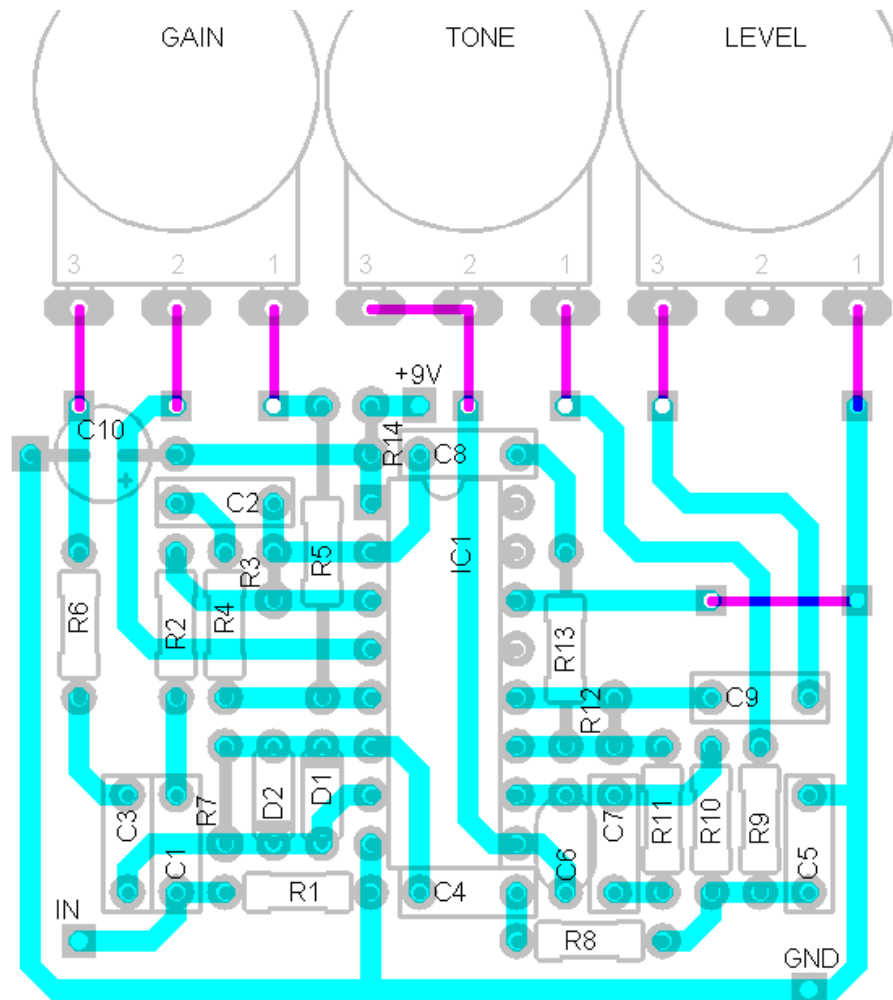
<http://gaussmarkov.net/index.php?page=layouts#ubescramer>

<p>The following conditions apply to this project from runoffgroove.com. runoffgroove.com projects are provided free-of-charge to builders for their personal use. They offer licensing for commercial builders who wish to sell pedals based on, in whole or in part, our projects. As part of the licensing agreement, the builder must clearly state that the circuit was developed by runoffgroove.com, both in promotional literature and on the circuit board. If you see a pedal for sale that seems to be based on a runoffgroove.com project and does not credit runoffgroove.com, the builder may not be officially licensed and therefore, not compensating us as the developer. Please contact runoffgroove.com with the information.</p>

Notes

SOURCE: <http://runoffgroove.com/ubescramer.html>

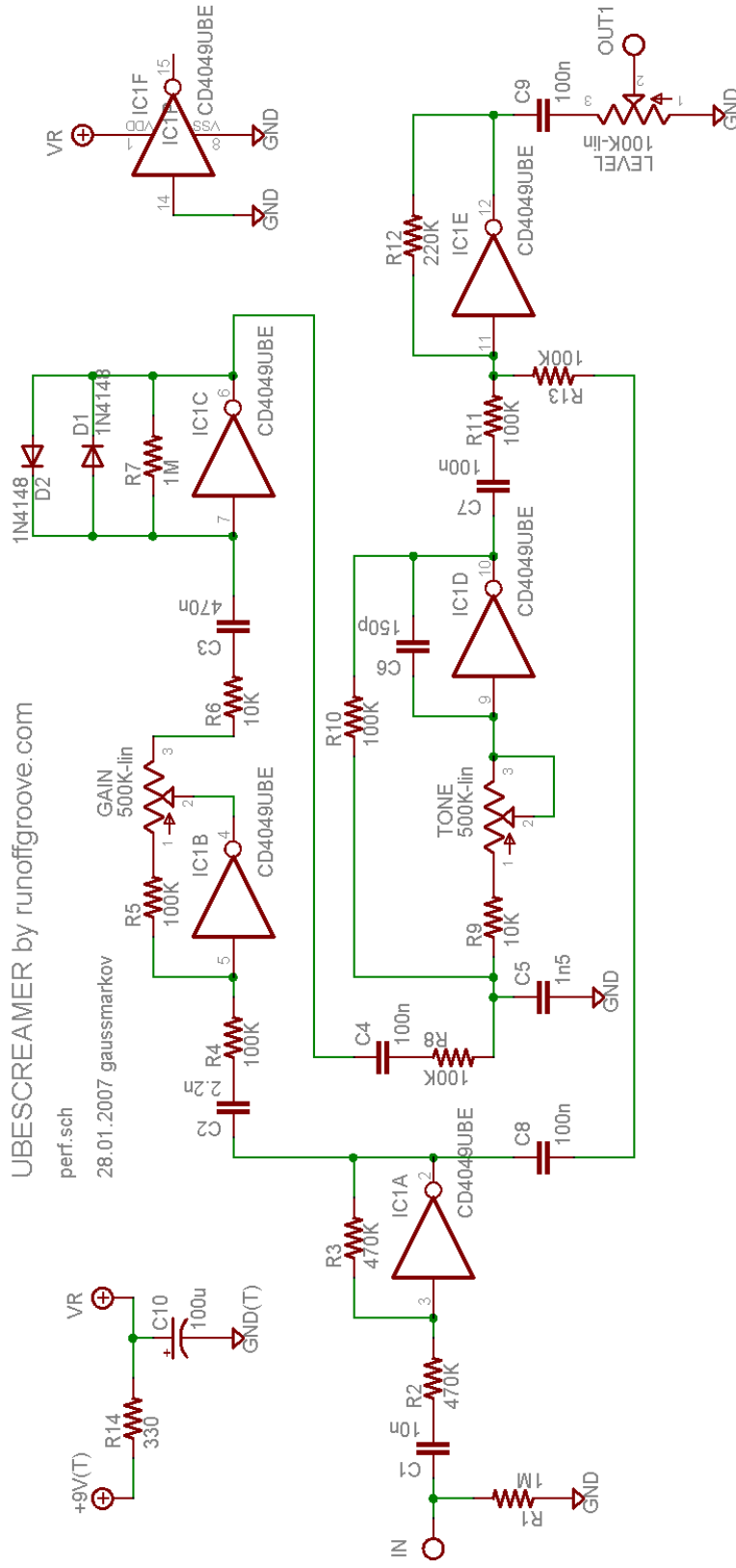
Layout



UBESCREAMER by runoffgroove.com

28.02.2007 gaussmarkov

Schematic



UBESCREAMER by runoffgroove.com

perf.sch

28.01.2007 gaussmarkov

Parts List

Partlist for UBEScreamer by runoffgroove.com from gaussmarkov.net

Part	Value	Library	Part	Value	Library
C1	10n	gm-caps-film-box	R1	1M	gm-resistors
C2	2.2n	gm-caps-film-box	R2	470K	gm-resistors
C3	470n	gm-caps-film-box	R3	470K	gm-resistors
C4	100n	gm-caps-film-box	R4	100K	gm-resistors
C5	1n5	gm-caps-film-box	R5	100K	gm-resistors
C6	150p	gm-caps-ceramic	R6	10K	gm-resistors
C7	100n	gm-caps-film-box	R7	1M	gm-resistors
C8	100n	gm-caps-film-box	R8	100K	gm-resistors
C9	100n	gm-caps-film-box	R9	10K	gm-resistors
C10	100u	gm-caps-electro-pol	R10	100K	gm-resistors
D1	1N4148	gm-diodes	R11	100K	gm-resistors
D2	1N4148	gm-diodes	R12	220K	gm-resistors
IC1	CD4049UBE	gm-ics	R13	100K	gm-resistors
			R14	330	gm-resistors
			GAIN	500K-lin	gm-pots
			LEVEL	100K-lin	gm-pots
			TONE	500K-lin	gm-pots

PCB Image

When printing this image, use "Page Scaling: None" in the Adobe Reader print dialog.

